

PLEASE THINK BEFORE YOU PRINT

## Specifications

# SMART Document Camera

Model SDC-330

## Physical Specifications

<b>Size</b>	
Set Up	11 3/8" W × 16 3/8" H × 14 5/8" D (28.9 cm × 41.7 cm × 37 cm)
Folded	11 3/8" W × 3 3/4" H × 12 1/4" D (28.9 cm × 9.5 cm × 31.2 cm)
<b>Weight</b>	7 lb. 10 oz. (3.46 kg)



All dimensions +/- 1/8" (0.3 cm). All weights +/- 2 lb. (0.9 kg)

## Standard Features

<b>Image Pick-Up Device</b>	1.3 megapixels
<b>Effective Pixels</b>	1280 (H) × 1024 (V)
<b>Frame Rate</b>	Maximum of 30 frames per second
<b>Resolution RGB Output</b>	800 (H) × 800 (V) TV lines
<b>Video Output</b>	VGA - DVI-D / composite selectable (mechanical switch)
<b>Zoom</b>	Powered, 5.2× optical, 8.0× digital
<b>Lens</b>	F2.8 to 3.2, f = 3.85 mm to 20.02 mm

Extraordinary made simple™

**SMART**™

<b>Shooting Area</b>	Max. 16 5/8" × 13 1/4" (42.3 cm × 33.6 cm) Min. 3 5/8" × 2 7/8" (9.3 cm × 7.5 cm)
<b>Focus</b>	Auto / Manual (powered)
<b>Brightness Control</b>	Auto (level control provided) / Manual
<b>Power Consumption</b>	21.6 W
<b>Power Source</b>	100 VAC to 240 VAC, 50/60 Hz
<b>AC Adapter</b>	12V DC, 1.6A
<b>Documentation</b>	Registration card, warranty sheet, MCV table, cautions and warnings, quick connect guide, user's guide
<b>Environmental Compliance</b>	EU RoHS, China EIP, EU WEEE, Packaging, US CPSIA
<b>Energy Efficiency</b>	Energy Star
<b>Regulatory Certification</b>	FCC, CE, CB, CCC, C-Tick
<b>Lighting</b>	LED illumination lamp
<b>Security</b>	Security slot
<b>Cables</b>	5' (1.5 m) power cable (country specific) 5' 9" (1.8 m) USB cable, SDC-330 6' 6" (2 m) RGB cable, SDC-330
<b>Software</b>	SMART Notebook™ software included. See the SMART Notebook software specification for a complete list of system requirements. Software upgrades are available at <a href="http://www2.smarttech.com/st/en-US/Support/SBS/">www2.smarttech.com/st/en-US/Support/SBS/</a> .
<b>Warranty</b>	Five-year limited equipment warranty. See warranty document for details.
<b>Also Includes</b>	Anti-glare sheet (A5 size)

### Optional Accessories

<b>USB-XT</b>	16' (5 m) USB active extension cable
<b>CAT5-XT</b>	USB to Cat 5 cable extender set, includes two 6' (1.8 m) USB cables

## User Interfaces

**Control Panel** Power on/off  
 OSD Operation: menu, direction, enter  
 Screen capture  
 Image select: SD card mode, camera mode, computer mode  
 Image brightness  
 Image pause

**SMART Notebook Software 10 or Later via USB** Screen capture  
 Image magnification  
 Image brightness  
 Auto focus  
 Image focus

**OSD (On-Screen Display)**

<b>Camera Mode</b>	
Image Settings	Brightness, Focus (Auto / Push / Zoom Sync), Shutter Speed, White Balance, R/B-Gain, Edge Effect, Gamma, Image Mode, Image Rotation, Microscope Mode, Color/B&W, Positive/Negative
Function Settings	USB Mode, Frequency, Save/Load Settings, Menu Display, Language
Special Settings	Highlight, Mask, Scroll, Picture in Picture
<b>SD Card Mode</b>	
SD Settings	Format, Delete, Lock, Slideshow (Image Select, Order, Repeat, Interval)

**Input/Output Connections**

Input selection – main/external  
 Video format – PAL / NTSC selectable (mechanical switch)  
 Analog VGA output – SXGA / WXGA / XGA / 720p 60Hz (mechanical switch)  
 VGA input – D-sub 15 pin  
 USB port – USB-B, USB 2.0  
 USB hub – USB-A, USB 2.0  
 SD/SDHC card slot  
 Video Output – VGA - DVI-D / Composite selectable (mechanical switch)  
 DVI-D – single link, 720p

**Microscope Interface**

Direct interface with optical microscopes less than 13 3/8" (33.9 cm) high

## Operating Specifications

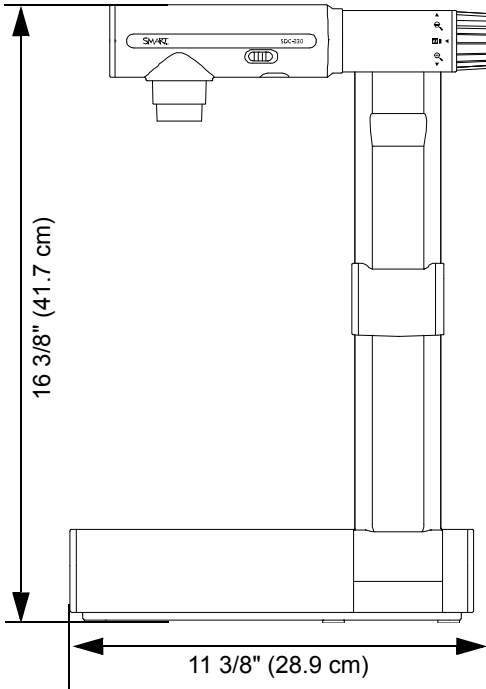
<b>Temperature</b>	32°F to 104°F (0°C to 40°C)
<b>Humidity</b>	30% to 85% humidity, non-condensing

## SMART Order Number

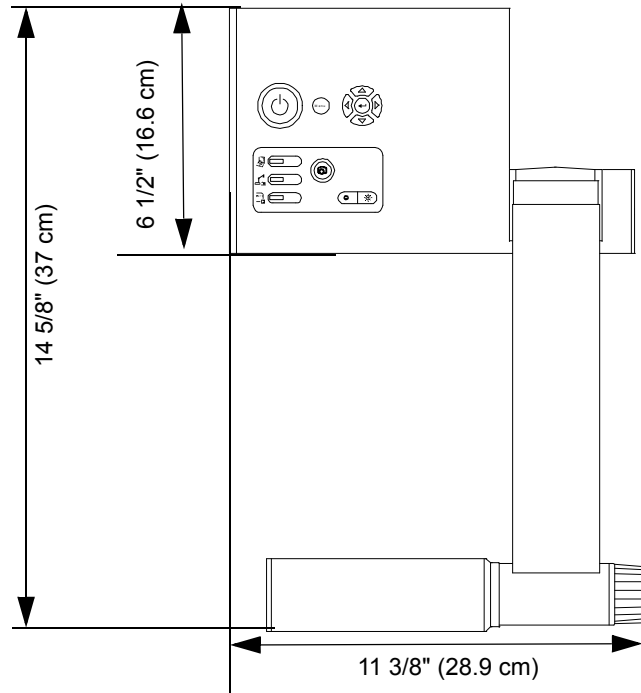
<b>SDC-330</b>	SMART Document Camera 330
----------------	---------------------------

## Physical Dimensions

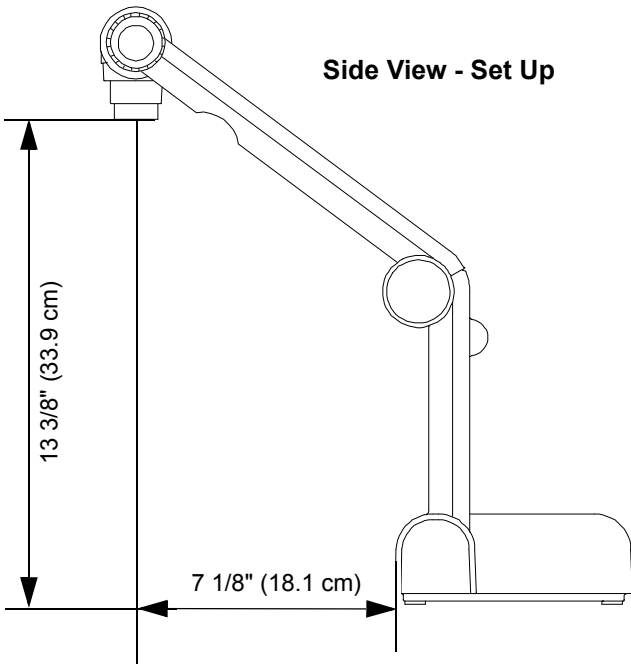
**Front View**



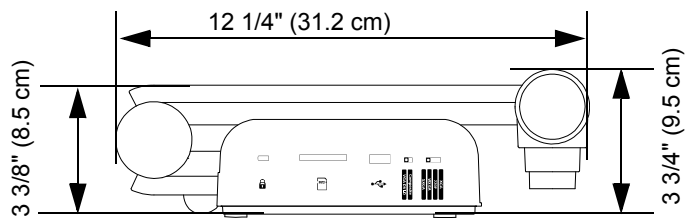
**Top View**



**Side View - Set Up**



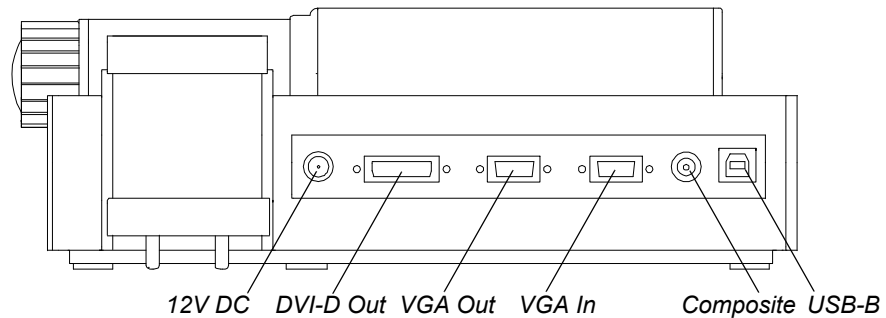
**Side View – Folded**



## Connection Panels

### Rear Connection Panel

The rear connection panel has connectors for 12V DC, DVI-D out, VGA in and out, composite and USB-B.



### Side Panel

The side panel has a security lock slot, SD/SDHC memory card slot, USB-A connector, a switch for selecting VGA-DVI-D or Composite output and a switch to select either SXGA, WXGA, 720p or XGA resolution.

